

7007

HEAVY-DUTY SLIDE FOR SERVER RACKS

Tailored Solutions for OEMs:
Customized to Your Specifications

Heavy-Duty Slide for Server Racks with Ultra-Slim Side-Space & Tool-less Installation

The 7007, engineered specifically to cater to the demands of modern server racks, combines an ultra-thin side-space with an exceptional load-bearing capacity of up to 84kg [185lbs.]. This slide is the ideal choice for accommodating today's heavier, high-density servers while ensuring uncompromised strength and stability.

This ultra-slim slide also features a tool-less installation system, ensuring quick and hassle-free setup, saving you valuable time and effort.

Specifications

Configuration: Side-Mount

Max Drawer Load: Up to 84kg [185lbs.]

Level of Travel: 156.4mm [6"] Over-Travel

Ultra-Slim Side-Space: 7.6mm [.30"]

Customizeable Lengths: 406mm-863mm [16"-34"]

Installation: Tool-less Installation

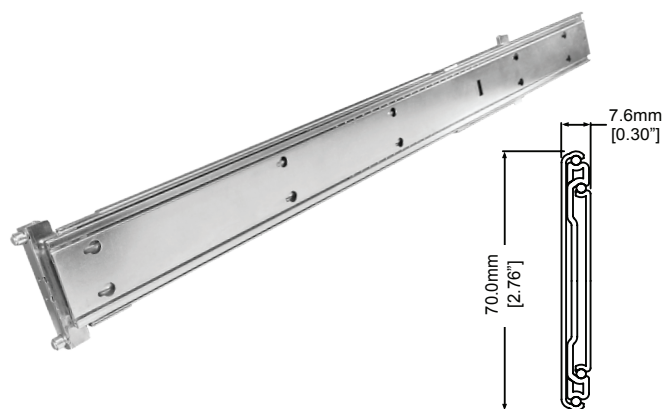
WARNING: California Proposition 65

This custom-designed OEM product requires tooling and minimum order quantities; expedited tooling is available upon request.

*Max load varies by length.

**For customizations to fit your needs, contact Accuride

NEW



Applications

With a robust load-bearing capability of up to 185 lbs. [84kg], it's built to handle the weight of modern 4U-8U chassis.



Pictured: The 7007 featured in a server rack.