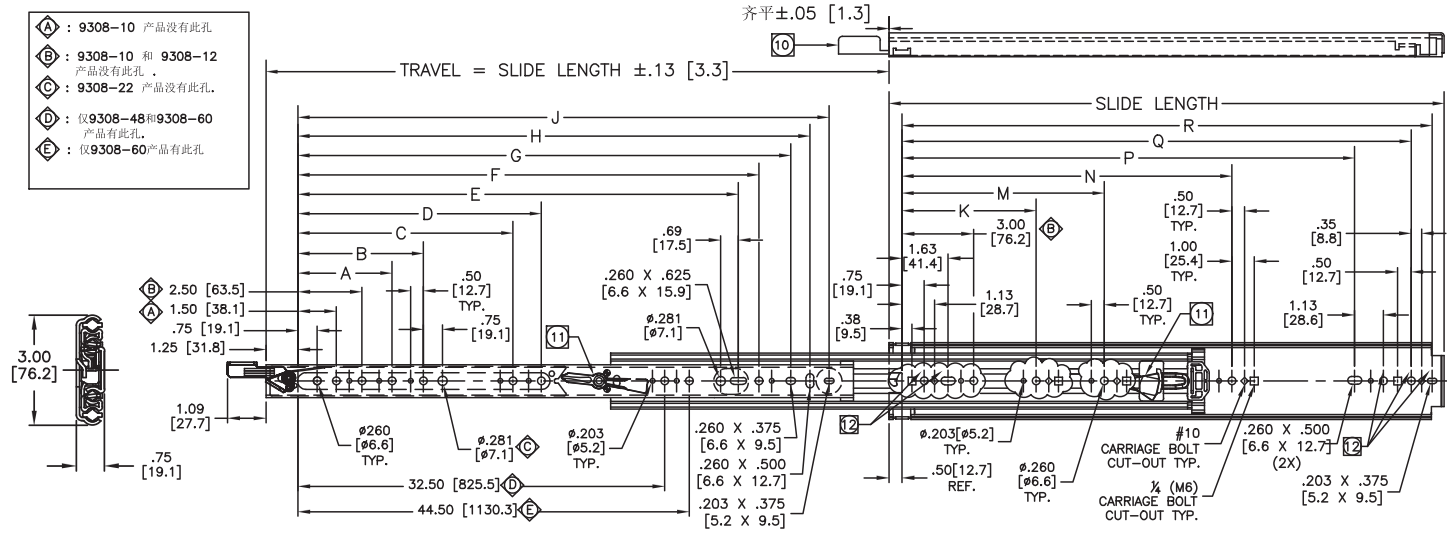




应用场景：工业存储机柜，卡车车体，工业抽屉/托盘，
机械自动化，物流行业等领域

滑轨 C 9308系列

重型承载滑轨，最高可达227kg/pr，全行程，
不可拆分安装，滑轨具有拉出锁定和关闭锁定功能。



Model C 9308 shown

表面处理： 电镀蓝白锌

安装方式： 锁螺丝

长度： 10" - 60" [254 mm - 1524 mm]

螺丝型号： M5/M6 圆头螺丝/#10或1/4" (英制)

高度： 3.0" [76.2 mm]

是否可拆分： 滑轨内轨不可拆分，

承载： 最大可达227kg/pr

滑轨功能： 具有静音，拉出锁定和关闭锁定功能

滑轨厚度： 0.75" +0.015/-0.000 [19.1 mm +0.4/-0.0]

滑轨行程： 等于滑轨长度

P/N	LENGTH	A	B	C	D	E	F	G	H	J	K	M	N	P	Q	R
-10	10.00 [254.0]	---	---	---	---	---	---	5.06 [128.5]	5.81 [147.5]	---	---	---	---	6.00 [152.4]	8.25 [209.5]	9.00 [228.6]
-12	12.00 [304.8]	---	---	---	---	---	6.06 [153.9]	7.06 [179.3]	7.81 [198.4]	---	---	---	---	8.00 [203.2]	10.25 [260.4]	11.00 [279.4]
-14	14.00 [355.6]	---	---	---	---	---	8.06 [204.7]	9.06 [230.1]	9.81 [249.2]	---	---	---	---	10.00 [254.0]	12.25 [311.2]	13.00 [330.2]
-15	15.00 [381.0]	---	---	---	---	---	9.06 [230.1]	10.06 [255.5]	10.81 [274.6]	---	---	---	---	11.00 [279.4]	13.25 [336.5]	14.00 [355.6]
-16	16.00 [406.4]	---	---	---	---	---	10.06 [255.5]	11.06 [280.9]	11.81 [300.0]	---	---	---	---	12.00 [304.8]	14.25 [362.0]	15.00 [381.0]
-18	18.00 [457.2]	5.00 [127.0]	---	---	---	---	12.06 [306.3]	13.06 [331.7]	13.81 [350.8]	---	---	---	---	14.00 [355.6]	16.25 [412.8]	17.00 [431.8]
-20	20.00 [508.0]	5.00 [127.0]	---	---	---	11.69 [296.9]	14.06 [357.1]	15.06 [382.5]	15.81 [401.6]	---	---	---	---	16.00 [406.4]	18.25 [463.6]	19.00 [482.6]
-22	22.00 [558.8]	5.00 [127.0]	7.50 [190.5]	---	---	13.69 [347.7]	16.06 [407.9]	17.06 [433.3]	17.81 [452.4]	---	---	---	---	18.00 [457.2]	20.25 [514.4]	21.00 [533.4]
-24	24.00 [609.6]	5.00 [127.0]	7.50 [190.5]	---	---	15.69 [398.5]	18.06 [458.7]	19.06 [484.1]	19.81 [503.2]	---	---	---	---	20.00 [508.0]	22.25 [565.2]	23.00 [584.2]
-26	26.00 [660.4]	5.00 [127.0]	7.50 [190.5]	---	---	17.69 [449.3]	20.06 [509.5]	21.06 [534.9]	21.81 [554.0]	---	---	---	---	22.00 [558.8]	24.25 [616.0]	25.00 [635.0]
-28	28.00 [711.2]	5.00 [127.0]	7.50 [190.5]	---	---	19.69 [500.1]	22.06 [560.3]	23.06 [585.7]	23.81 [604.8]	---	---	---	---	24.00 [609.6]	26.25 [666.8]	27.00 [685.8]
-30	30.00 [762.0]	5.00 [127.0]	7.50 [190.5]	---	---	21.69 [550.9]	24.06 [611.1]	25.06 [636.5]	25.81 [655.6]	---	9.25 [235.0]	---	19.75 [501.7]	26.00 [660.4]	28.25 [717.6]	29.00 [736.6]
-32	32.00 [812.8]	5.00 [127.0]	7.50 [190.5]	---	---	23.69 [601.7]	26.06 [661.9]	27.06 [687.3]	27.81 [706.4]	---	9.25 [235.0]	---	21.75 [552.5]	28.00 [711.2]	30.25 [768.4]	31.00 [787.4]
-34	34.00 [863.6]	5.00 [127.0]	7.50 [190.5]	---	20.50 [520.7]	25.69 [652.5]	28.06 [712.7]	29.06 [738.1]	29.81 [757.1]	---	9.25 [235.0]	---	23.75 [603.2]	30.00 [762.0]	32.25 [818.8]	33.00 [837.8]
-36	36.00 [914.4]	5.00 [127.0]	7.50 [190.5]	14.50 [368.3]	20.50 [520.7]	27.69 [703.3]	30.06 [763.5]	31.06 [788.9]	31.81 [807.9]	---	9.25 [235.0]	---	25.75 [654.1]	32.00 [812.8]	34.25 [869.6]	35.00 [888.6]
-40	40.00 [1016.0]	5.00 [127.0]	7.50 [190.5]	14.50 [368.3]	---	31.69 [804.9]	34.06 [865.1]	35.06 [890.5]	35.81 [909.5]	---	9.25 [235.0]	---	29.75 [755.6]	36.00 [914.4]	38.25 [971.5]	39.00 [990.6]
-42	42.00 [1066.8]	5.00 [127.0]	7.50 [190.5]	14.50 [368.3]	---	33.69 [855.7]	36.06 [915.9]	37.06 [941.3]	37.81 [960.4]	---	9.25 [235.0]	---	31.75 [806.5]	38.00 [965.2]	40.25 [1022.4]	41.00 [1041.4]
-48	48.00 [1219.2]	5.00 [127.0]	7.50 [190.5]	14.50 [368.3]	20.50 [520.7]	39.69 [1008.1]	42.06 [1068.3]	43.06 [1093.7]	43.81 [1112.8]	---	9.25 [235.0]	---	37.75 [958.9]	44.00 [1117.6]	46.25 [1174.8]	47.00 [1193.8]
-60	60.00 [1524.0]	5.00 [127.0]	7.50 [190.5]	14.50 [368.3]	20.50 [520.7]	51.69 [1312.9]	54.06 [1373.1]	55.06 [1398.5]	55.81 [1417.8]	---	9.25 [235.0]	23.50 [596.8]	37.75 [958.9]	56.00 [1422.4]	58.25 [1478.6]	59.00 [1497.6]

*滑轨承载能力是基于滑轨长度450mm，抽屉宽度400mm，载荷均匀分布状态下，通过至少10000次循环测试，及滑轨完全打开状态，24小时的两倍载荷静载测试。



雅固拉国际精密工业（苏州）有限公司

苏州工业园区苏虹东路178号

Tel: 0086-512-62731200

www.accuride.com.cn