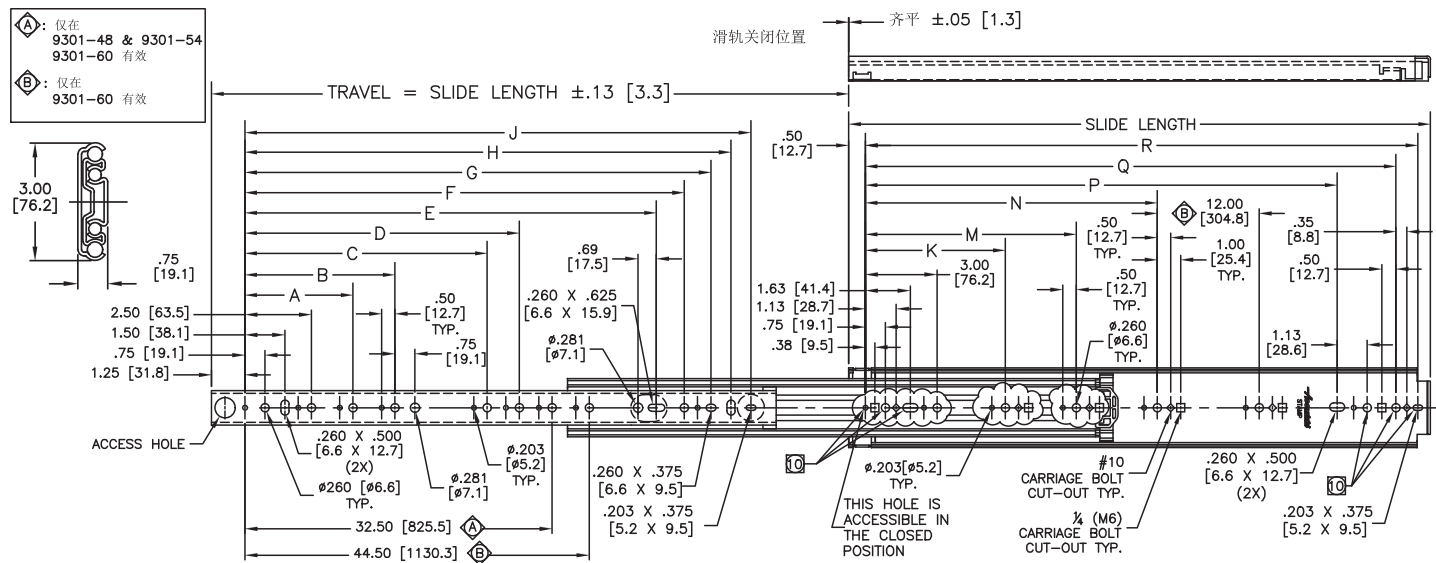




滑轨 C 9301系列

应用场景：工业存储机柜，卡车车体，工业抽屉/托盘，机械自动化，物流行业等领域

重型承载滑轨，最高可达227kg/pr，全行程，不可拆分安装。



Model C 9301 shown

表面处理： 电镀蓝白锌

安装方式： 锁螺丝

长度： 10" - 60" [254 mm - 1524 mm]

螺丝型号： M5/M6 圆头螺丝/#10/1/4" (英制)

高度： 3.0" [76.2 mm]

是否可拆分： 滑轨内轨不可拆分

承载： 最大可达227kg/pr

滑轨功能： 具有静音功能

滑轨厚度： 0.75" +.015/- .000 [19.1 mm +0.4/-0.0]

滑轨行程： 等于滑轨长度

PART NO.	LENGTH	A	B	C	D	E	F	G	H	J	K	M	N	P	Q	R	
-10	10.00 [254.0]	---	---	---	---	---	4.06 [103.1]	5.06 [128.5]	5.81 [147.6]	6.56 [166.6]	---	---	---	6.00 [152.4]	8.25 [209.6]	9.00 [228.6]	
-12	12.00 [304.8]	---	---	---	---	---	6.06 [153.9]	7.06 [179.3]	7.81 [198.4]	8.56 [217.4]	---	---	---	8.00 [203.2]	10.25 [260.4]	11.00 [279.4]	
-14	14.00 [355.6]	---	---	---	---	---	8.06 [204.7]	9.06 [230.1]	9.81 [249.2]	10.56 [268.2]	---	---	---	10.00 [254.0]	12.25 [311.2]	13.00 [330.2]	
-15	15.00 [381.0]	5.00 [127.0]	---	---	---	---	9.06 [230.1]	10.06 [255.5]	10.81 [274.6]	11.56 [293.6]	---	---	---	11.00 [279.4]	13.25 [336.6]	14.00 [355.6]	
-16	16.00 [406.4]	5.00 [127.0]	---	---	---	---	10.06 [255.5]	11.06 [280.9]	11.81 [300.0]	12.56 [319.0]	---	---	---	12.00 [304.8]	14.25 [362.0]	15.00 [381.0]	
-18	18.00 [457.2]	5.00 [127.0]	---	---	---	---	9.69 [246.1]	12.06 [306.3]	13.06 [331.7]	13.81 [350.8]	14.56 [369.8]	---	---	---	14.00 [355.6]	16.25 [412.8]	17.00 [431.8]
-20	20.00 [508.0]	5.00 [127.0]	7.50 [190.5]	---	---	---	11.69 [296.9]	14.06 [357.1]	15.06 [382.5]	15.81 [401.6]	16.56 [420.6]	---	---	---	16.00 [406.4]	18.25 [463.6]	19.00 [482.6]
-22	22.00 [558.8]	5.00 [127.0]	7.50 [190.5]	---	---	---	13.69 [347.7]	16.06 [407.9]	17.06 [433.3]	17.81 [452.4]	18.56 [471.4]	---	---	---	18.00 [457.2]	20.25 [514.4]	21.00 [533.4]
-24	24.00 [609.6]	5.00 [127.0]	7.50 [190.5]	---	---	---	15.69 [398.5]	18.06 [458.7]	19.06 [484.1]	19.81 [503.2]	20.56 [522.2]	---	---	---	20.00 [508.0]	22.25 [565.2]	23.00 [584.2]
-26	26.00 [660.4]	5.00 [127.0]	7.50 [190.5]	---	---	---	17.69 [449.3]	20.06 [509.5]	21.06 [534.9]	21.81 [554.0]	22.56 [573.0]	---	---	---	22.00 [558.8]	24.25 [616.0]	25.00 [635.0]
-28	28.00 [711.2]	5.00 [127.0]	7.50 [190.5]	---	---	---	19.69 [500.1]	22.06 [560.3]	23.06 [585.7]	23.81 [604.8]	24.56 [623.8]	---	---	---	24.00 [609.6]	26.25 [666.8]	27.00 [685.8]
-30	30.00 [762.0]	5.00 [127.0]	7.50 [190.5]	14.50 [368.3]	---	---	21.69 [550.9]	24.06 [611.1]	25.06 [636.5]	25.81 [655.6]	26.56 [674.6]	9.25 [235.0]	---	19.75 [501.7]	26.00 [660.4]	28.25 [717.6]	29.00 [736.6]
-32	32.00 [812.8]	5.00 [127.0]	7.50 [190.5]	14.50 [368.3]	---	---	23.69 [601.7]	26.06 [661.9]	27.06 [687.3]	27.81 [706.4]	28.56 [725.4]	9.25 [235.0]	15.50 [393.7]	21.75 [552.5]	28.00 [711.2]	30.25 [768.4]	31.00 [787.4]
-34	34.00 [863.6]	5.00 [127.0]	7.50 [190.5]	14.50 [368.3]	18.50 [469.9]	---	25.69 [652.5]	28.06 [712.7]	29.06 [738.1]	29.81 [757.2]	30.56 [776.2]	9.25 [235.0]	16.50 [419.1]	23.75 [603.3]	30.00 [762.0]	32.25 [819.2]	33.00 [838.2]
-36	36.00 [914.4]	5.00 [127.0]	7.50 [190.5]	14.50 [368.3]	20.50 [520.7]	---	27.69 [703.3]	30.06 [763.5]	31.06 [788.9]	31.81 [808.0]	32.56 [827.0]	9.25 [235.0]	17.50 [444.5]	25.75 [654.1]	32.00 [812.8]	34.25 [870.0]	35.00 [889.0]
-40	40.00 [1016.0]	5.00 [127.0]	7.50 [190.5]	14.50 [368.3]	20.50 [520.7]	31.69 [804.9]	34.06 [865.1]	35.06 [890.5]	35.81 [909.6]	36.56 [928.6]	9.25 [235.0]	21.50 [546.1]	29.75 [755.7]	36.00 [914.4]	38.25 [971.6]	39.00 [990.6]	
-42	42.00 [1066.8]	5.00 [127.0]	7.50 [190.5]	14.50 [368.3]	20.50 [520.7]	33.69 [855.7]	36.06 [915.9]	37.06 [941.3]	37.81 [960.4]	38.56 [979.4]	9.25 [235.0]	21.50 [546.1]	31.75 [806.5]	38.00 [965.2]	40.25 [1022.4]	41.00 [1041.4]	
-44	44.00 [1117.6]	5.00 [127.0]	7.50 [190.5]	14.50 [368.3]	20.50 [520.7]	35.69 [906.5]	38.06 [966.7]	39.06 [992.1]	39.81 [1011.2]	40.56 [1030.2]	9.25 [235.0]	21.50 [546.1]	33.75 [857.3]	40.00 [1016.0]	42.25 [1073.2]	43.00 [1092.2]	
-48	48.00 [1219.2]	5.00 [127.0]	7.50 [190.5]	14.50 [368.3]	20.50 [520.7]	39.69 [1008.1]	42.06 [1068.3]	43.06 [1093.7]	43.81 [1112.8]	44.56 [1131.8]	9.25 [235.0]	23.50 [596.6]	37.75 [958.9]	44.00 [1117.6]	46.25 [1174.8]	47.00 [1193.8]	
-54	54.00 [1371.6]	5.00 [127.0]	7.50 [190.5]	14.50 [368.3]	20.50 [520.7]	45.69 [1160.5]	48.06 [1220.8]	49.06 [1246.2]	49.81 [1265.2]	50.56 [1284.2]	9.25 [235.0]	23.50 [596.6]	37.75 [958.9]	50.00 [1270.0]	52.25 [1327.2]	53.00 [1346.2]	
-60	60.00 [1524.0]	5.00 [127.0]	7.50 [190.5]	14.50 [368.3]	20.50 [520.7]	51.69 [1312.9]	54.06 [1373.1]	55.06 [1398.5]	55.81 [1417.6]	56.56 [1436.6]	9.25 [235.0]	23.50 [596.6]	37.75 [958.9]	56.00 [1422.4]	58.25 [1479.6]	59.00 [1498.6]	

*滑轨承载能力是基于滑轨长度450mm，抽屉宽度400mm，载荷均匀分布状态下，通过至少10000次循环测试，及滑轨完全打开状态，24小时的两倍载荷静载测试。



雅固拉国际精密工业（苏州）有限公司

苏州工业园区苏虹东路178号

Tel: 0086-512-62731200

www accuride.com.cn