

Flipper Door Reference Guide 1332



Accuride[®]

1332

BIFOLD DOOR - INSET

Mounting Details

Door Thickness	3/4" [19.0]
Door Clearance	1/16" [1.6]
Tab Distance	5/16" [8.0]
Minimum Pocket	2-1/2" [63.5]
Gap*	3/32" [2.4]

Hinge Information

Manufacturer	Salice
Hinge Cup	35mm
Hinge Part #	C2P7A33
Base Plate #	BAR3P39
Accuride Kit #	4180-0407-XE

Helpful Hints

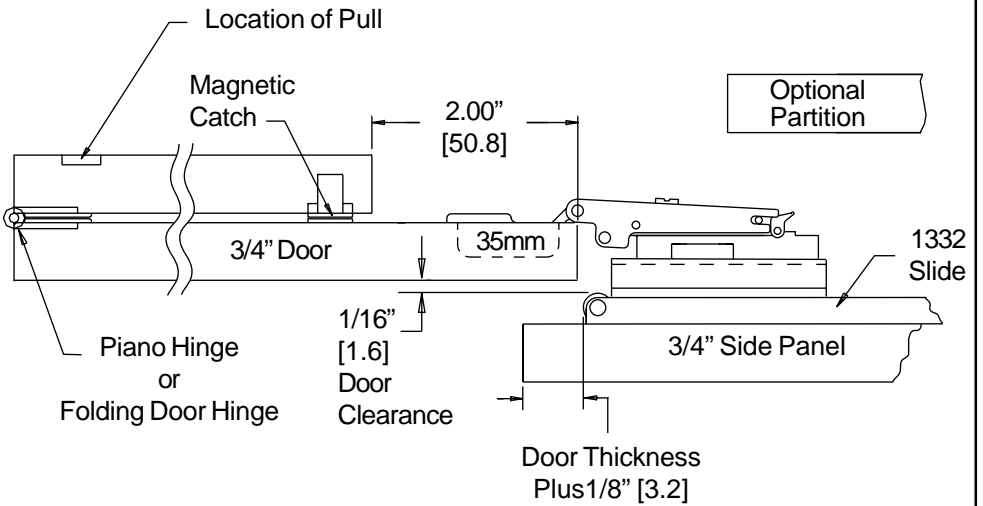
- Dimensions given are with the hinge unadjusted
- Can use optional partition
- Door limits: 36" wide unfolded; 48" high; 3/4" thick
- Use piano hinge or folding door hinge
- Customer purchased magnetic catch
- * May require notching (for Grass hinge)

Alternate Hinge Options

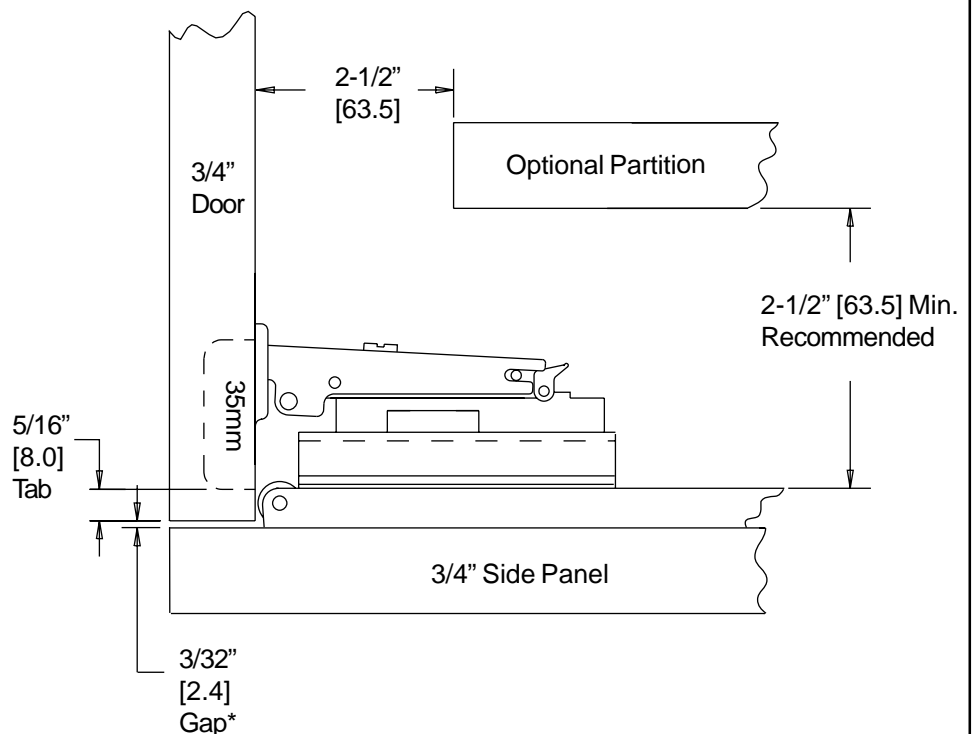
Manufacturer	Mepla
Hinge Part #	DS05 253 S/00
Base Plate #	DS7250ES37/00

Note: Refer to Accuride installation sheet for specific notes and cautions relative to usage of above hinges.

Door In The Open Position



Door In The Closed Position



1332

FLUSH INSET DOOR

Mounting Details

Door Thickness	3/4" [19.0]
Door Clearance	1/16" [1.6]
Tab Distance	5/16" [8.0]
Minimum Pocket	2-1/4" [57.2]
Gap*	3/32" [2.4]

Hinge Information

Manufacturer	Salice
Hinge Cup	35mm
Hinge Part #	C2P7A33
Hinge Finish	Black
Base Plate #	BAR3P39
Accuride Kit #	4180-0407-XE

Helpful Hints

- *May require notching inside door edge
- Dimensions given are with the hinge unadjusted

Alternate Hinge Options

Manufacturer	Salice
Hinge Part #	C2P7A99
Hinge Finish	Zinc
Base Plate #	BAR3P39
Accuride Kit #	4180-0389-XE

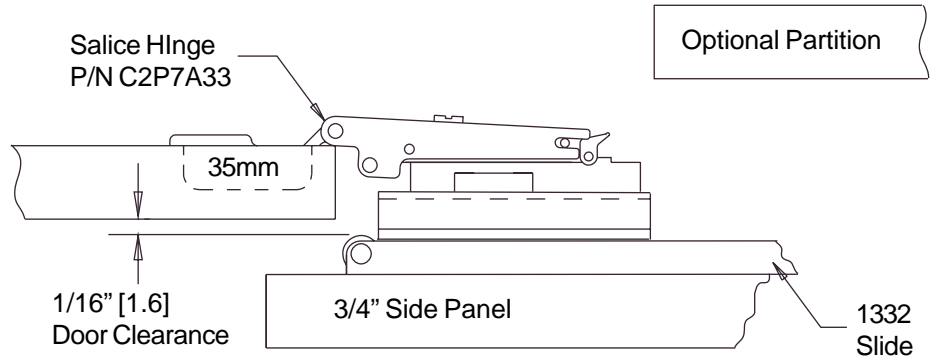
Manufacturer	Mepla
Hinge Part #	DS 05 253 S/00
Base Plate #	DS7250ES37/00

Manufacturer	Blum
Hinge Part #	71M9550
Base Plate #	175H9100

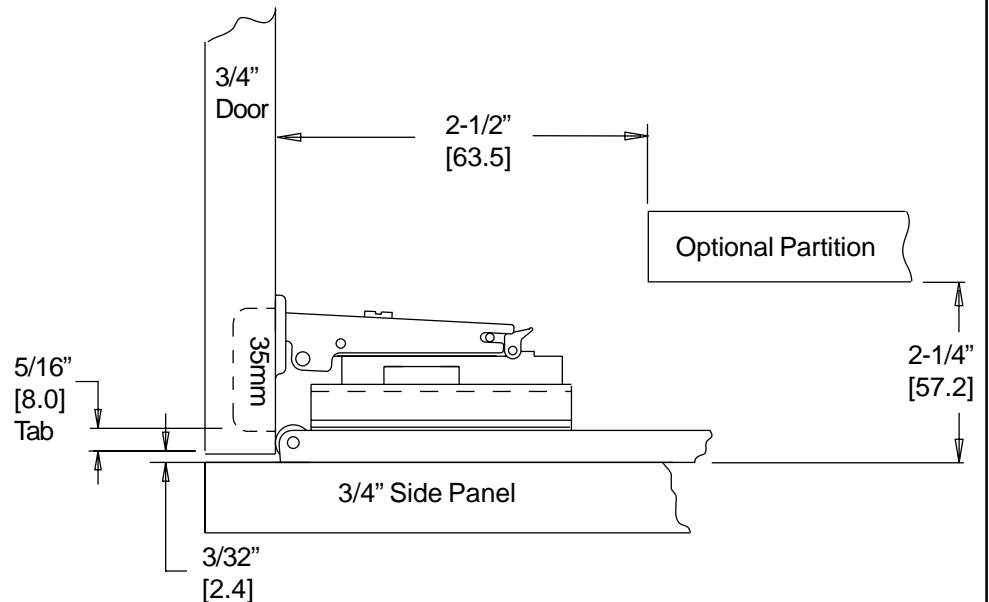
Manufacturer	Grass*
Hinge Part #	G366Overlay
Base Plate #	B3H/RZ-0

Note: Refer to Accuride installation sheet for specific notes and cautions relative to usage of above hinges.

Door In The Open Position



Door In The Closed Position



1332

THICK DOOR INSET

Mounting Details

Door Thickness	1-1/4" [31.8]
Door Clearance	1/16" [1.6]
Tab Distance	19/32" [15.0]
Minimum Pocket	2-1/2" [63.5]
Gap	3/32" [2.4]

Hinge Information

Manufacturer	Salice
Hinge Cup	40mm
Hinge Part #	CFA7G99
Base Plate #	BAR3P39
Accuride Kit #	4180-0394-XE

Helpful Hints

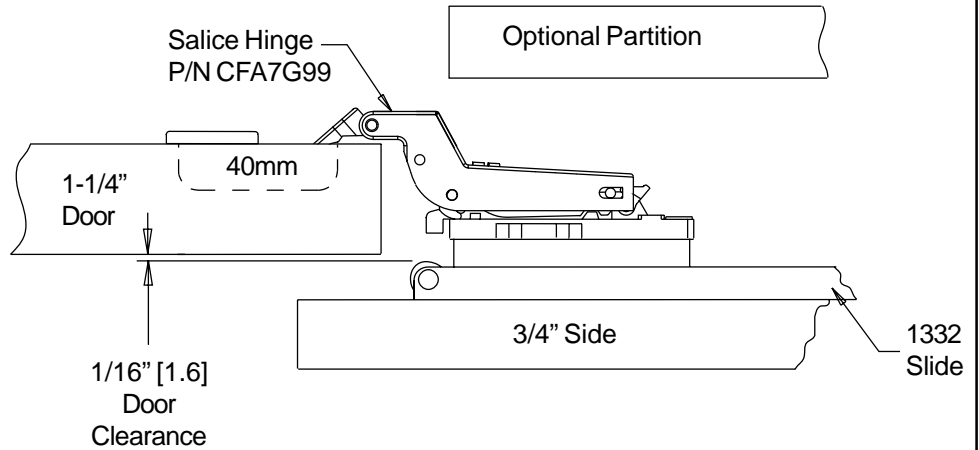
- Dimensions given are with the hinge unadjusted
- Can use optional partition
- Door limits: 26" wide; 78" high; 1-1/4" thick

Alternate Hinge Options

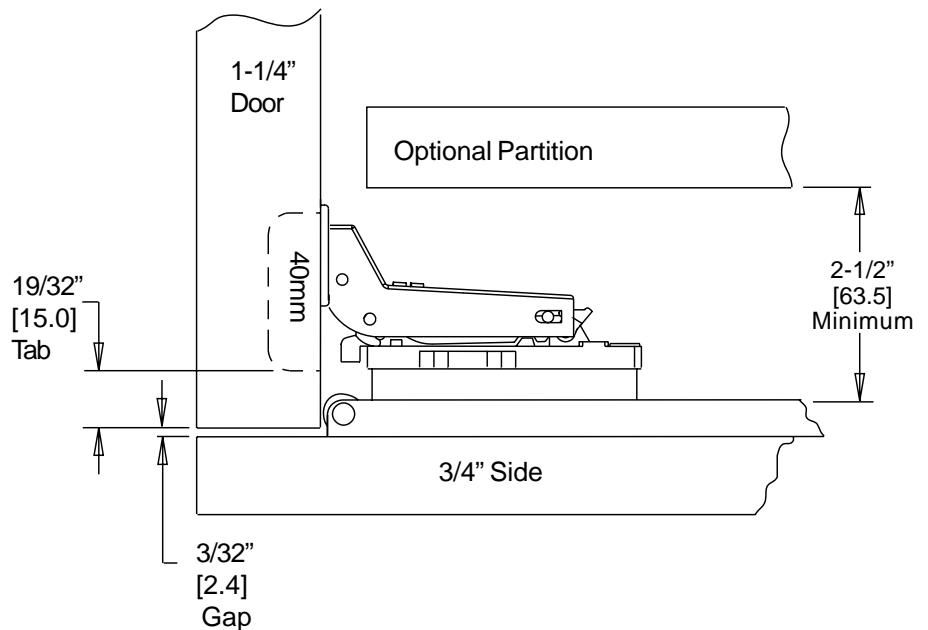
Manufacturer	Mepla
Hinge Part #	DS25 253 S/00
Base Plate #	DS7250ES37/00

- May require spacers for base plate
- 3mm notch to back of door may be necessary
- See Accuride 1332/1432 installation guide for additional information

Door In The Open Position



Door In The Closed Position



Accuride[®]