



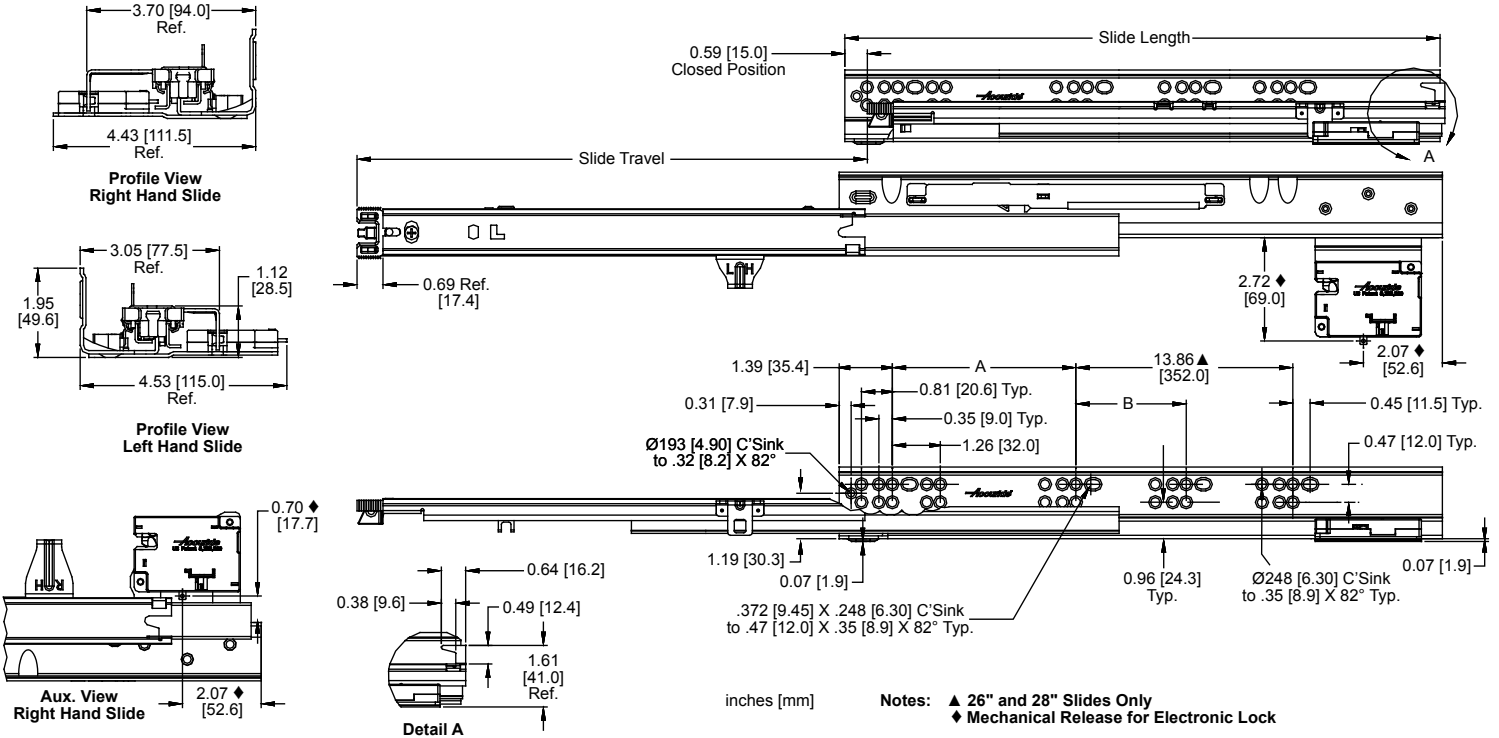
Model A3135ECEL

Eclipse Undermount with Accuride Electronic Lock and Easy-Close.
Vertical, horizontal, and front-to-back drawer front adjustment.
Optional Bottom Bracket

APPLICATIONS: For use in commercial and high end residential applications in drawers and shelves up to 30" wide. **This product is covered by U.S. (8,328,299) and various patents pending.**

A3135ECEL A QUICK REFERENCE

Mounting: Undermount (Side)
Lengths: Even lengths 12"-28"
15" and 21"
Slide Load Rating: 100 lbs.*
Lock Force: 250 lbf.
Senseon Electronic Lock with Easy-Close



Lengths Even lengths 12"-28" [305 mm-711 mm], 15" [381mm] and 21" [533mm]

Height 1.12 [28.5]-Under drawer
1.95 [49.6]-Overall

Travel Full extension

Slide Finish Bright electro-zinc

Load Rating 100 lbs.* [45.5 kg]

Mounting Undermount (Side), Optional bottom brackets available.

Features Compatible with 1/2" [12.7 mm] to 5/8" [15.9 mm] drawer box thickness, 1/8" [3.2 mm] range of horizontal, vertical, front to back drawer front adjustment.

Part number	Slide Length	Slide Travel	A	B	Drawer Depths	Cabinet Depths
AC 3135-12ECEL	12.00 [304.8]	11.50 [292.1]	5.04 [128.0]	3.78 [96.0]	12.00 [304.8]	12.63 [320.8] to 14.63 [371.6]
AC 3135-14ECEL	14.00 [355.6]	13.50 [349.9]	5.04 [128.0]	3.78 [96.0]	14.00 [355.6]	14.63 [371.6] to 16.63 [422.4]
AC 3135-15ECEL	15.00 [381.0]	14.50 [368.3]	5.04 [128.0]	3.78 [96.0]	15.00 [381.0]	15.63 [397.0] to 17.63 [447.8]
AC 3135-16ECEL	16.00 [406.4]	15.50 [393.7]	5.04 [128.0]	7.56 [192.0]	16.00 [406.4]	16.63 [422.4] to 18.63 [473.2]
AC 3135-18ECEL	18.00 [457.2]	17.50 [444.5]	5.04 [128.0]	7.56 [192.0]	18.00 [457.2]	18.63 [473.2] to 20.63 [524.0]
AC 3135-20ECEL	20.00 [508.0]	19.50 [495.3]	8.82 [224.0]	7.56 [192.0]	20.00 [508.0]	20.63 [524.0] to 22.63 [574.8]
AC 3135-21ECEL	21.00 [533.4]	19.75 [501.6]	8.82 [224.0]	7.56 [192.0]	21.00 [533.4]	21.63 [549.4] to 23.63 [600.2]
AC 3135-22ECEL	22.00 [558.8]	21.50 [546.1]	8.82 [224.0]	10.08 [256.0]	22.00 [558.8]	22.63 [574.8] to 24.63 [625.6]
AC 3135-24ECEL	24.00 [609.6]	23.50 [596.9]	8.82 [224.0]	10.08 [256.0]	24.00 [609.6]	24.63 [625.6] to 26.63 [676.4]
AC 3135-26ECEL	26.00 [660.4]	25.50 [647.7]	8.82 [224.0]	10.08 [256.0]	26.00 [660.4]	26.63 [676.4] to 28.63 [727.2]
AC 3135-28ECEL	28.00 [711.2]	27.50 [698.5]	8.82 [224.0]	10.08 [256.0]	28.00 [711.2]	28.63 [727.2] to 30.63 [778.0]

* Load rating based on 18" slides installed in a 30" wide drawer cycled 50,000 times.

Drawer and Cabinet Build Requirements

FIGURE 1

Build drawer and cabinet based on dimensions shown.

Drawer side thickness	5/8" [16]	19/32" [15]	9/16" [14]	1/2" [13]
For outside drawer width (deduct from inside cabinet width)	1/2" [13]	9/16" [14]	5/8" [16]	3/4" [19]
For inside drawer width (deduct from inside cabinet width)	1 3/4" [44.5]			

Maximum drawer height equals cabinet opening height minus 13/16" [20.6 mm].

Recommended drawer bottom inset 1/2" [13 mm] max.

FIGURE 2

Drawer depth equals slide length.

Drawer Preparation

FIGURE 3

Notch drawer back flush with drawer bottom to provide clearance for slides. Pre-drill holes for disconnect levers.

FIGURE 4

Pre-drill four holes for disconnect handle assemblies at 10° angle from bottom panel.

FIGURE 5

Install both disconnect levers to bottom of the drawer.

NOTE: The levers should curve toward the center of the drawer.

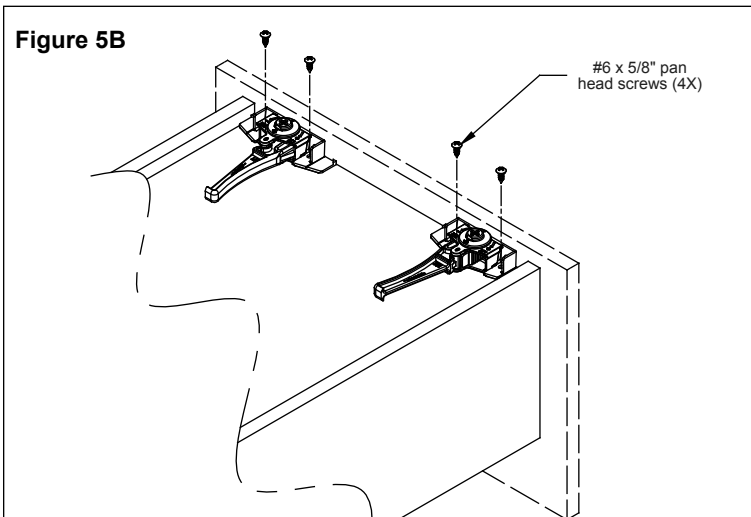
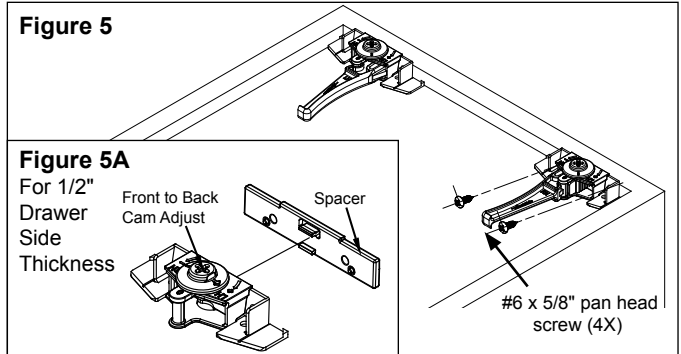
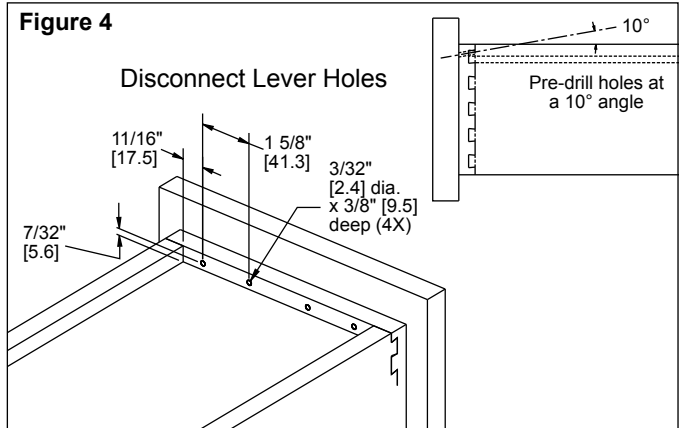
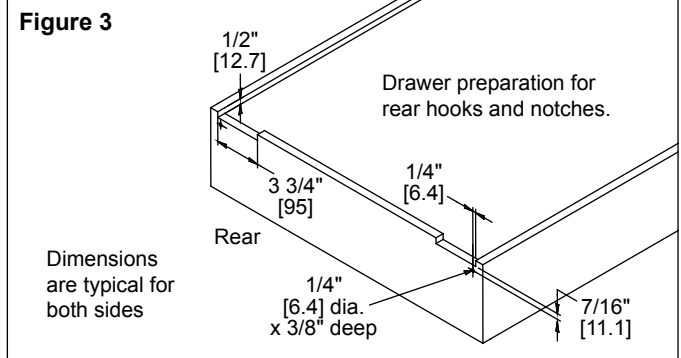
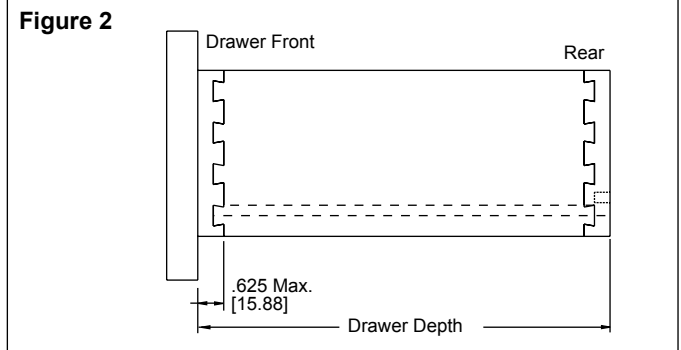
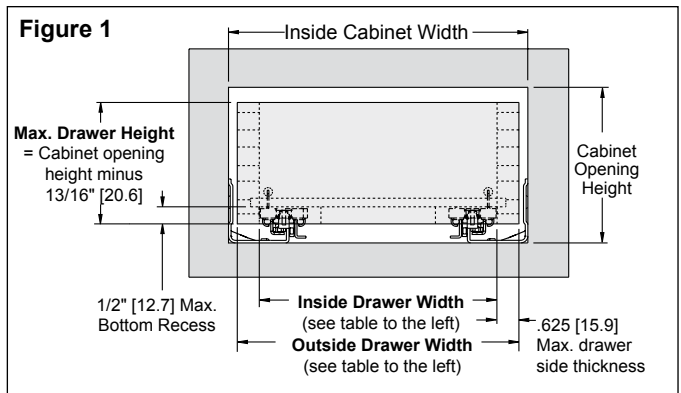
Place disconnect handles against each inside corner of the drawer bottom and install with #6 pan head screws.

Standard Lever Disconnect (vertical and horizontal)

FIGURE 5A and 5B

For 1/2" drawer side thickness, install the included spacers along with the disconnect handles as shown in Figure 5A.

For drawers with bottom panels flush to the drawer front install lever disconnect vertically as seen in Figure 5B.



Cabinet Member Installation

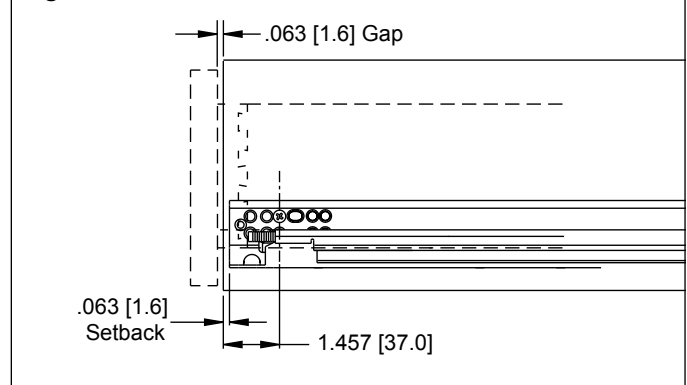
Overlay Side mount or Frameless

FIGURE 6

If needed, pre-drill a hole 37 mm from cabinet front. The optional drill jig can be used to pre-drill this hole and/or pencil mark line in the 37 mm location from the cabinet front. For location of additional screw holes refer to the tabulated data on front page.

Install slides to cabinet wall with #8 x 5/8" flat head screws. Align slide member hole shown to pre-drilled hole 37 mm from front of cabinet to ensure proper gap. A minimum of 3 screws are recommended for each side. To finalize installation, see Fig. 9 instructions.

Figure 6

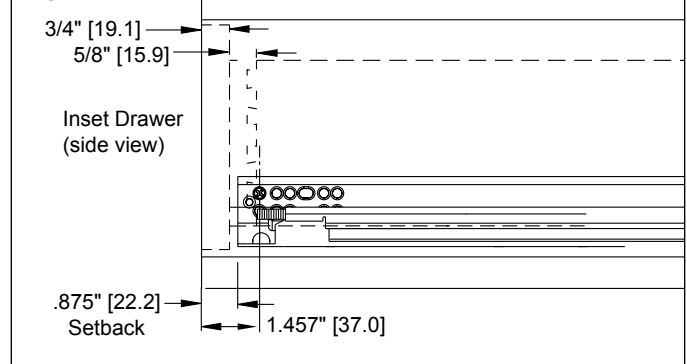


Inset Side mount or Frameless

FIGURE 7

Align slide member hole shown to pre-drilled hole 37 mm from front of cabinet for 5/8" drawer box thickness. Install slides to cabinet wall with #8 x 5/8" flat head screws.

Figure 7



Bottom Mount Bracket Option

FIGURE 8

Purchase the optional bottom mount bracket kit 4180-0569-XE (see last page). Refer to the installation guide provided in the kit for detailed mounting instructions.

Drawer Installation and Adjustments

FIGURE 9

Connect the drawer to the slides. Lower the drawer onto the slides and push until the levers lock onto the front of the slides. Continue to push until the drawer "ratchets" in completely (Figure 9). Check to ensure the rear hooks on the slide fit into the rear holes of the drawer.

Figure 8

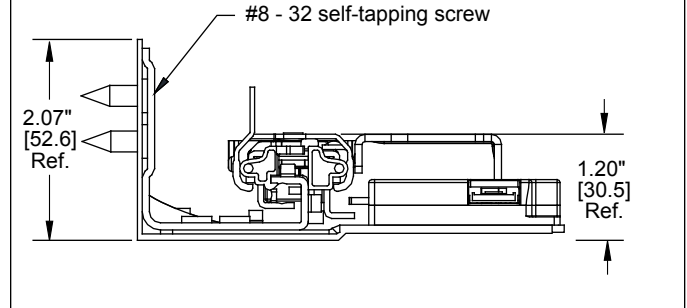


FIGURE 10

NOTE: Prior to making any drawer adjustment, loosen the black 1/4-turn lateral lock by turning it counterclockwise.

Horizontal, Vertical and Front-to-Back adjustment of drawer front is possible by rotating the corresponding cam with a #2 Phillips or #2 pozi screwdriver. To secure drawer front position, lock the drawer position by turning the 1/4-turn lateral lock clockwise 1/4-turn.

WARNING! Before installing the drawer, you must have access to the lock's manual override lever.

Figure 9

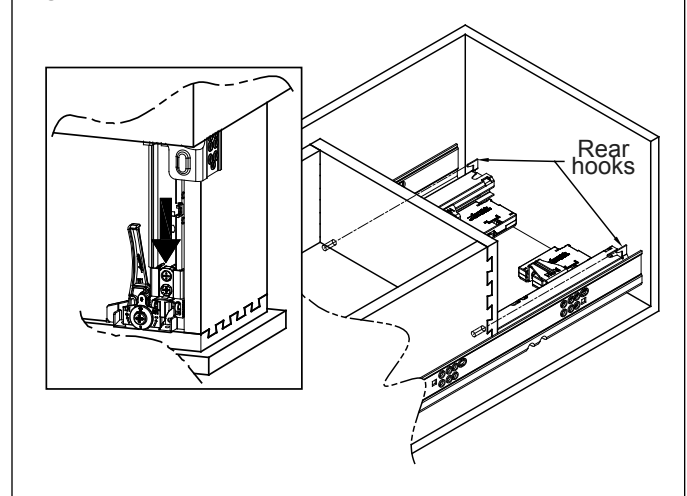


Figure 10

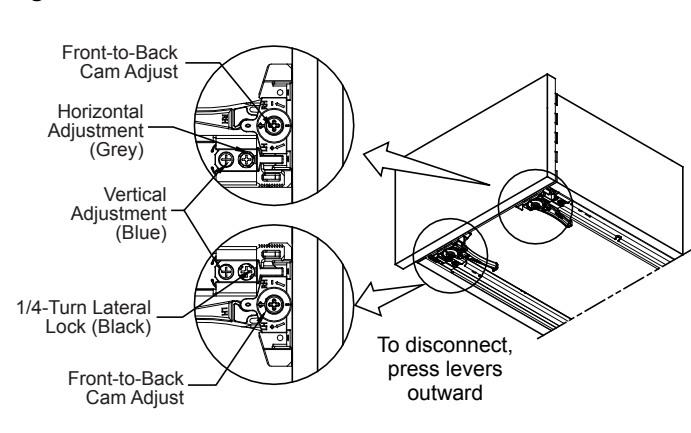
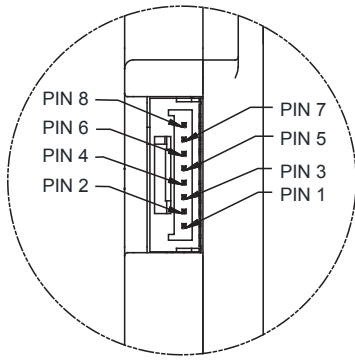
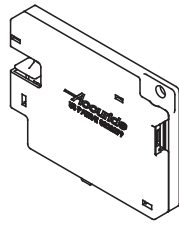


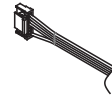
Figure 11



SM08B-GHS-TB (JST lock connector)



GHR-08V-S (JST cable connector)



WIRE	COLOR	OEM Cable
8	RED	PWR (+5VDC to +24VDC Max)
7	GREY	PWR (-) Ground
6	GREY	Trigger : See Note 3
5	GREY	Jumper connection for TR only
4	GREY	Drawer Status
3	GREY	For internal use only, do not use*
2	GREY	For internal use only, do not use*
1	GREY	Lock Status

Technical Data

Voltage Supply : +5VDC to +24VDC Maximum

Current Consumption : 50mA for 200 milliseconds @12VDC (Unlocking and Locking)

Internal Sensor Specifications

Mechanical Life : 300,000 cycles (Drawer Contact "DC") (Lock Contact "LC")

Notes:

- Drawer status output:
Drawer open : = "Open"
Drawer closed : = "Ground"
- Lock status output:
Lock is unlocked : = "Open"
Lock is locked : = "Ground"
- +5VDC to +24VDC Max at pin 6 will unlock the Electronic Lock. The Electronic Lock will remain unlocked until +VDC is removed.
- (*) PIN 2 & 3 ARE USED FOR INTERNAL USE DO NOT USE.

WIRING SCHEMATIC

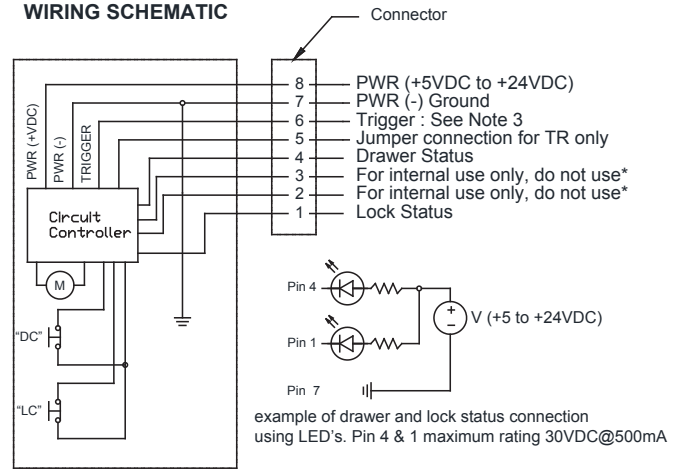
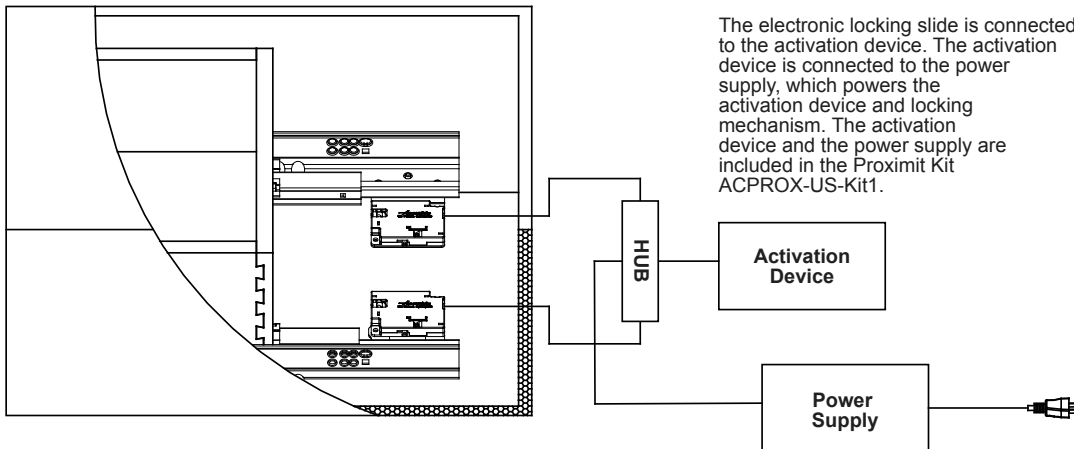


Figure 12

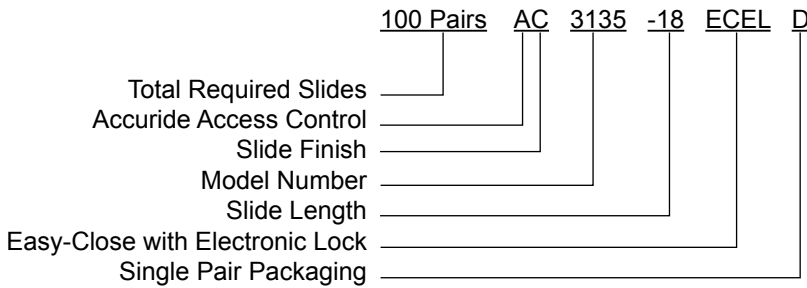
A3135ECEL Basic Wiring Diagram



Shown with two locking devices

The electronic locking slide is connected to the activation device. The activation device is connected to the power supply, which powers the activation device and locking mechanism. The activation device and the power supply are included in the Proximit Kit ACPROX-US-Kit1.

Complete your order for Accuride model A3135ECEL by specifying the following:



Slide Members: Cold rolled steel
 Ball Retainers: Polymer
 Ball Bearings: Carburized steel and polymer
 Rollers: Polymer
 RoHs Compliant

NOTE: Specifications, materials, prices, terms, and delivery are subject to change without notice.

Optional Kits

Proximity Kit:

- One proximity kit per each Senseon system.
 Part number ACPROX-US-Kit1. The kit includes:
- | | |
|------------------|------------------------|
| 1 RFID Reader | 1 Top link Cable |
| 1 Power Supply | 1 AC Cord |
| 1 Reader Holder | 1 Proximity Kit Box |
| 1 DC Power Cable | 2 Power Supply Holders |
| 12 Cable Clips | |

Hub Kit: One Hub Kit per cabinet opening (drawer and door). Modular wiring kit part number ACHUBX-Kit1. The kit includes:

- 1 Hub Assembly
- 2 Hub to Lock Cable
- 4 Cable Clips
- 6" Double Stick Tape

Linking Cables: To connect multiple banks for lock openings.

- Top Linking ACLINK-TOP-KIT1
- Bottom Linking ACLINK-BTM-KIT1

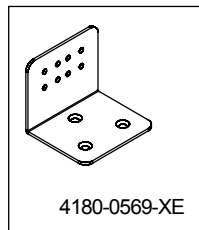
Extension AC Cables: Available in 4 lengths

- 6" ACCBLX-6-KIT1
- 12" ACCBLX-12-KIT1
- 120" ABLEL-120

Optional Hardware Kit

Bottom Mount Brackets:

Bottom mount brackets are ordered as a kit. Mounting screws are not included. To order the kit, specify part number 4180-0569-XE. Each kit contains 4 bottom mount brackets, self-tapping screws and one installation sheet.



Packaging Options

Distributor (D) Pack

All lengths are packaged 1 pair per box. Box includes one pair of slides with 6 ea. #8 x 5/8" Phillips flat head screws (for slides), 2 ea. standard horizontal disconnect levers, and 4 ea. #6 x 5/8" phillips pan head screws (for levers).

Bulk (P) Pack

All lengths package 4 pairs per box.

A separate polybag containing 36 ea. #8 x 5/8" Phillips flat head screws is included. Disconnect levers and screws for lever installation are ordered separately.

Disconnect Lever Packaging Options

Standard Horizontal and Vertical Lever Disconnect (P/N 4180-0747-XE)

One pair individually packaged with 4 ea. #6 x 5/8" Phillips pan head type 17s in a polybag.

Standard Horizontal and Vertical Lever Disconnect, Bulk (P/N 4180-0748-XE)

Left hand and right hand levers are packaged separately. 60 levers per box. Each box contains 120 mounting screws in a polybag.

ACCURIDE ® ACCESS CONTROL WARRANTY

Accuride warrants its access control products will conform at the time of delivery to specifications expressly agreed to in writing by Buyer and Accuride. Accuride warrants its access control products will be free from defects and workmanship during the warranty period. Shipping costs incurred in returning such nonconforming products shall be borne by Accuride. Accuride agrees to replace nonconforming products covered under this warranty for a period of one (1) year from the date of delivery to Buyer. This warranty does not cover products which have been damaged due to misuse, improper installation, or unauthorized repair or alteration. This warranty is for replacement of the defective product only and does not include the cost of removal, installation, or other incidental charges. At its option, Accuride may credit Buyer for an amount not to exceed the original price paid for such products.

There are no express warranties by Accuride other than stated herein. No warranties by Accuride (other than title) shall be implied or otherwise created under any applicable law, including but not limited to a warranty of merchantability and warranty of fitness for a particular purpose.

LIMITATION OF LIABILITY

To the extent permitted by law, Accuride shall not be responsible for, and Buyer hereby assumes the risk of, and hereby releases Accuride for any damages or injuries whatsoever (including, without limitation, incidental or consequential damages, damages for lost profits or business interruption, and punitive damages) caused by or related to any use of Accuride products, regardless of any error, omission, interruption, defect, failure of performance, delay in operation or transmission, even if Accuride has previously been advised of such damages. Notwithstanding the foregoing, Accuride's total liability to Buyer for all losses, damages and causes of action, whether in contract, equity or tort, including negligence and gross negligence, shall not exceed the amount equal to the aggregate price paid for product purchased by Buyer.

These terms are governed by the laws of the State of California. For any claims arising between Buyer and Accuride, the parties agree to submit to the exclusive jurisdiction of the Superior Court of Los Angeles County, California.

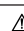
Accuride International Inc.
Attn: Accuride Access Control Technical Services
Accuride/AF Romero
Calexico, CA 92231



Accuride International Inc.

12311 Shoemaker Avenue Manufacturing, Engineering, and Sales
Santa Fe Springs, CA 90670 United States • Germany • Japan •
TEL (562) 903-0200 Mexico • United Kingdom • China
FAX (562) 903-0208

For the most current technical information visit www.accuride.com

 **WARNING:** This product can expose you to chemicals including nickel, which is known to the State of California to cause cancer and birth defects or other reproductive harm. For more information go to www.P65Warnings.ca.gov.