



APPLICATION: Provides an easy-to-install method to secure and control access to doors and other openings. This product is covered by U.S. (8,328,299), and various patents pending.

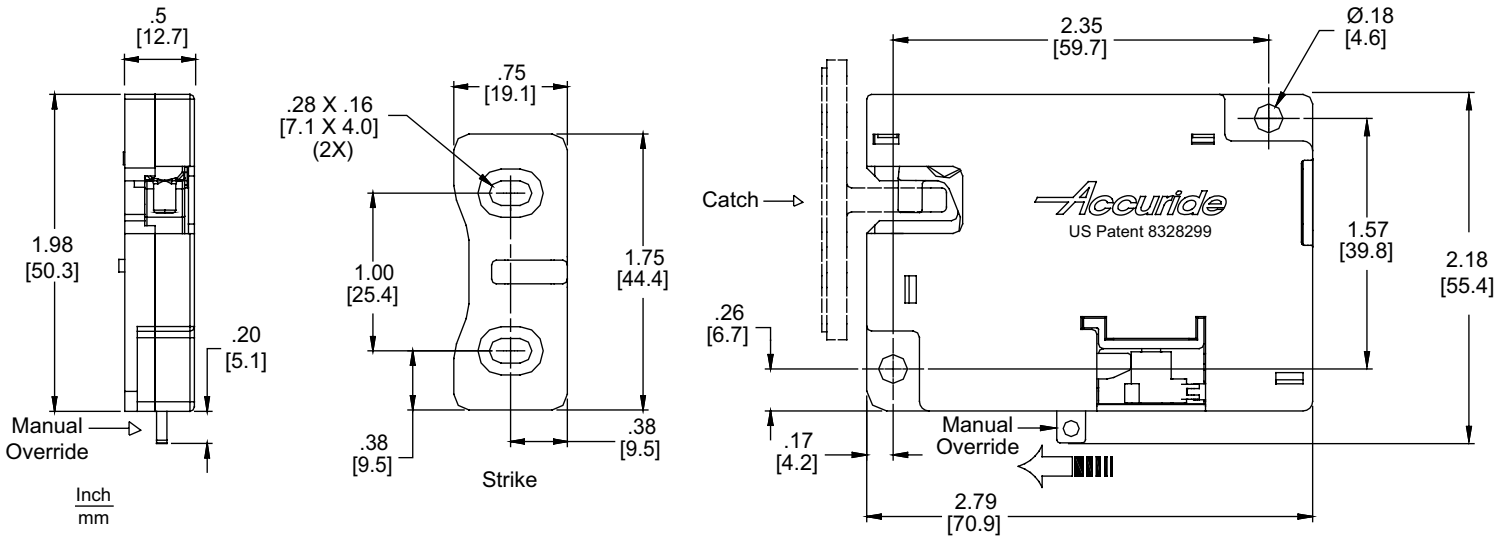
MODELS:

**A10EL/A10ELAO/A10TREL/A10EL-2
A10ELS/A10ELSAO/A10TRELS/10ELS-2**

Electronic Lock
Withstands up to 250 pounds of force
Available standard lock/unlock, Auto-Open, and electronic touch release.
With and without subversion protection feature

**A10EL Family
QUICK REFERENCE**

Height: 2.18" [55.4 mm]
Length: 2.79" [70.9 mm]
Thickness: .50" [12.7 mm]
Lock Force: 250 lbf



A10EL shown

- Finish: Zinc and black polymer
- Height: 2.18" [55.4 mm]
- Length: 2.79" [70.9 mm]
- Thickness: .50" [12.7 mm]
- Mounting Hardware: #8 pan head screw
- Features: Electronic locking mechanism with manual override
Withstands up to 250 pounds of force
Installation jig assists positioning for doors
- 10EL: Lock/Unlock, with a detent (open manually)
- 10ELAO: Auto-Open (automatically opens and propels doors or drawers open about 2" when unlocked)
Note: Auto-Open action works best with auto-lock feature.
Free swing hinges are recommended for Auto-Open best performance.
- 10TREL: Electronic touch release and electronic lock.
Note: Mechanism propels doors or drawers open when activated by touch.
Free swing hinges are recommended for Touch Release best performance.
- 10EL-2: Standard lock/unlock, for doors or drawers with soft-close hinges or drawers with soft-close slides.
- S Models: Include Subversion Protection Feature.
100% Guaranty the secure status output from Pin1 only occurs when the catch is in the locked position and the lock is secure.

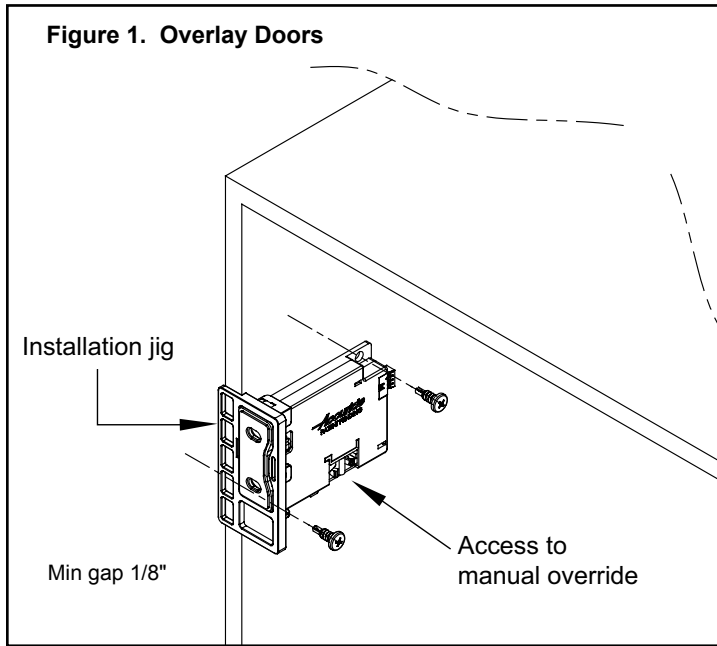


WARNING! Before installing the lock, you must have access to the manual override lever or the activation device connected. **Otherwise, you will not be able to unlock and open the door.**

Overlay Doors

1. Locate lock assembly by placing the installation jig against the edge of the cabinet at the position desired (Figure 1).
2. Attach the lock assembly to the cabinet using the appropriate mounting screws for your application (Figure 1).

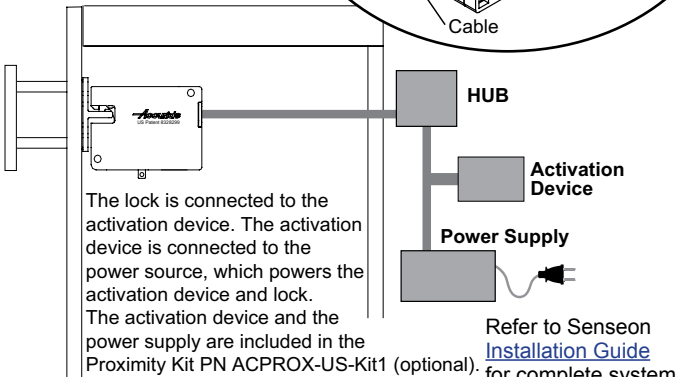
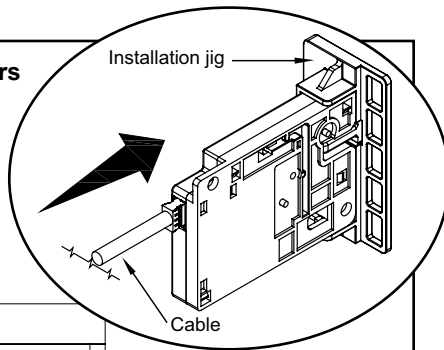
Figure 1. Overlay Doors



3. Install the cable to the connector located at the back of the lock assembly. Perform the electrical installation and **make sure the lock assembly locks and unlocks properly before closing the door** (Figure 2).

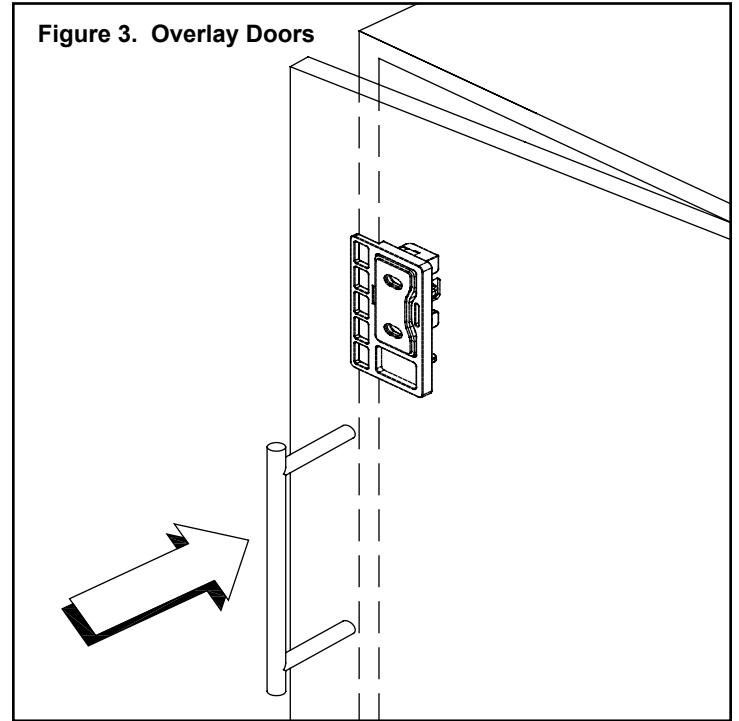
Figure 2. Overlay Doors

Be sure you have access to the manual override lever or activation device.



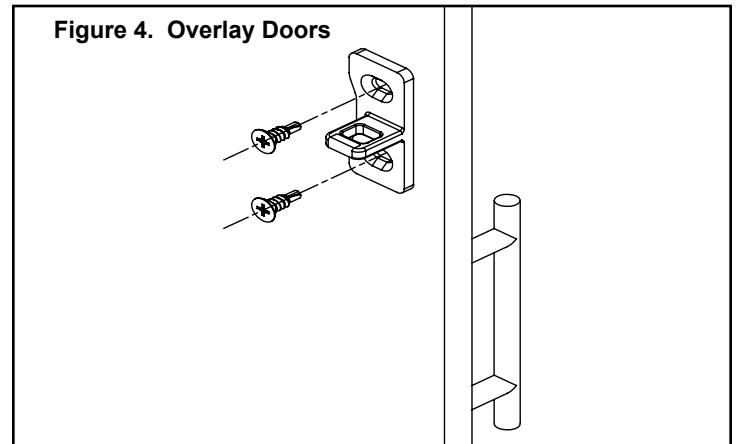
4. Remove one side of the backing from the double-sided tape and apply the tape to the door strike component.
5. With the lock in the closed position, peel the backing off of the double-sided tape on the door strike component.

Figure 3. Overlay Doors



6. Close the door and firmly apply pressure to ensure the door striker adheres to the door (Figure 3).
7. Disengage the lock from its closed position using the activation device or manual override.
8. Open the door and remove the installation jig. Attach the door striker using the appropriate flat-head mounting screws for your application (Figure 4).

Figure 4. Overlay Doors



Inset Doors

1. Drill pilot holes into your cabinet according to Figure 5. Be sure to take panel thickness into consideration.
2. Drill pilot holes into the door according to Figure 6.
3. Install the cable to the connector located at the back of the lock assembly. Perform the electrical installation and **make sure the lock assembly locks and unlocks properly before closing the door.**
4. Fasten lock and door strike respectively, using the appropriate mounting hardware for your application. See Figures 6 and 7.

Figure 5. Panel Preparation for Lock

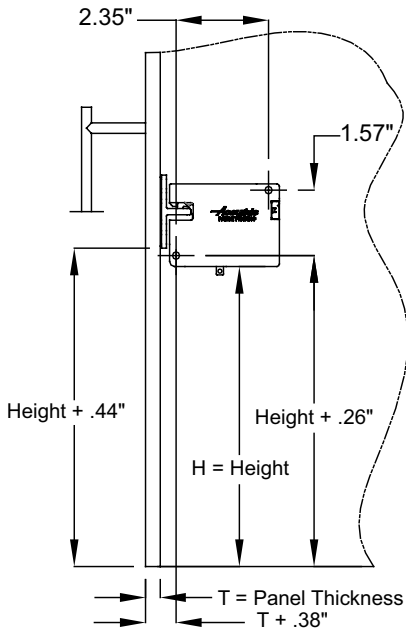


Figure 6. Panel Preparation for Door Strike

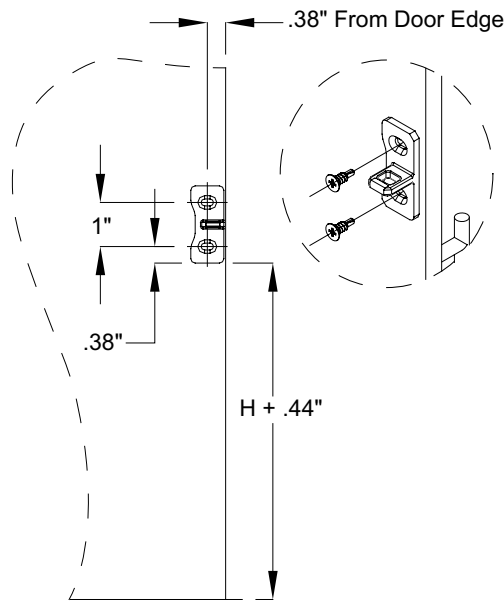
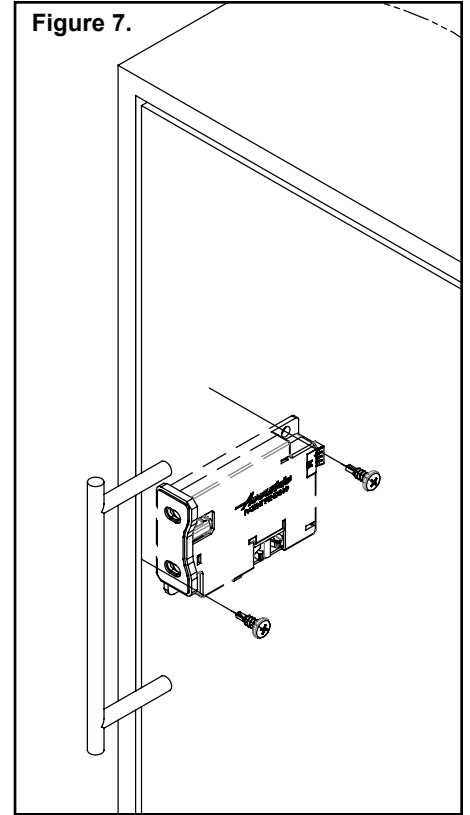
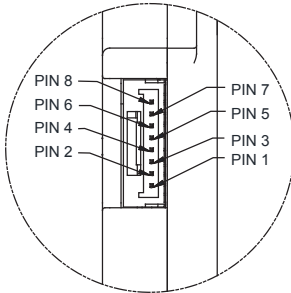


Figure 7.

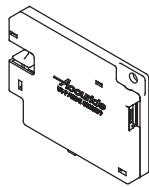


Technical Data

Power Requirements and Connectors



SM08B-GHS-TB (JST lock connector)



GHR-08V-S (JST cable connector)

WIRE	COLOR	OEM Cable
8	RED	PWR (+5VDC to +24VDC Max)
7	GREY	PWR (-) Ground
6	GREY	Trigger : See Note 3
5	GREY	Jumper connection for TR only
4	GREY	Drawer Status
3	GREY	For internal use only, do not use*
2	GREY	For internal use only, do not use*
1	GREY	Lock Status

Technical Data

Voltage Supply : +5VDC to +24VDC Maximum

Current Consumption : 50mA for 200 milliseconds @12VDC (Unlocking and Locking)

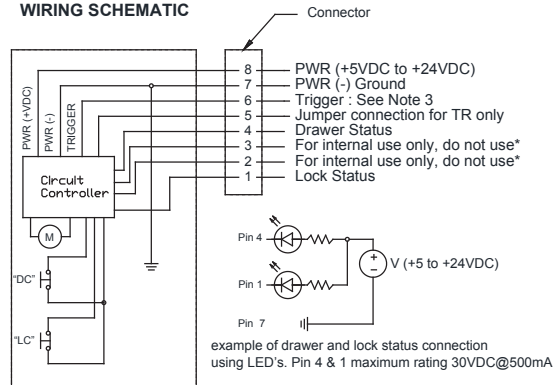
Internal Sensor Specifications

Mechanical Life : 300,000 cycles (Drawer Contact "DC") (Lock Contact "LC")

Notes:

- Drawer status output:
Drawer open : = "Open"
Drawer closed : = "Ground"
- Lock status output:
Lock is unlocked : = "Open"
Lock is locked : = "Ground"
- +5VDC to +24VDC Max at pin 6 will unlock the Electronic Lock. The Electronic Lock will remain unlocked until +VDC is removed.
- (*) PIN 2 & 3 ARE USED FOR INTERNAL USE DO NOT USE.

WIRING SCHEMATIC



Each individual electronic lock is packaged in a box which includes an installation jig, double sided tape.
 Bulk pack (P): Full box quantities, includes 10 electronic locks.

Optional Kits

Proximity Kit: One proximity kit per each Senseon System. Part number ACPROX-US-Kit1.

- This kit includes:
- 1 RFID Reader
 - 1 Power Supply
 - 1 Reader Holder
 - 1 DC Power Cable
 - 1 Reader Splitter Cable
 - 1 AC Cord
 - 1 Proximity Kit Box
 - 2 Power Supply Holders
 - 12 Cable Clips

Hub Kit: One Hub kit per cabinet opening (drawer or door). Modular wiring kit part number ACHUBX-KIT1.

- This kit includes:
- 1 Hub Assembly
 - 2 Hub to Lock Cable
 - 4 Cable Clips
 - 6" Double Stick Tape

Linking Cables: To connect multiple banks of lock openings.

- Top Linking ACLINK-TOP-KIT1
- Bottom Linking ACLINK-BTM-KIT1

Extension Cables: Available in 4 lengths

- 6" SECBLX-6-KIT1
- 12" SECBLX-12-KIT1
- 24" SECBLX-24-KIT1
- 120" ABLEL-120

Note: See installation and ordering guides.

Click here for [Installation Guide](#)

Click here for [Ordering Guide](#)

Specifications

Lock: Zinc and black polymer.
 All components are RoHS compliant.

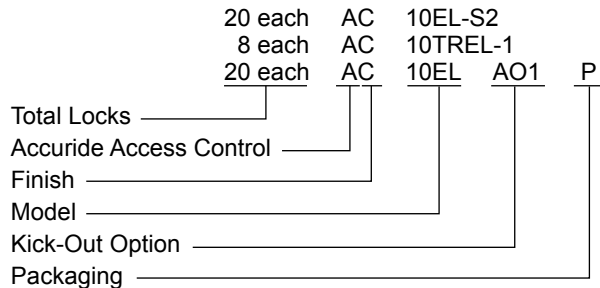
NOTE: Specifications, materials, prices, terms, and delivery are subject to change without notice.

- AC10EL-1 (Open Manually)
- AC 10EL AO1 (Auto-Open-option)
- AC 10TREL-1 (Electronic Touch Release)
- AC10EL-2 (for Soft Close products)

Subversion Protection Models

- S models include subversion protection
- A10ELS (Open Manually + Subversion)
- A10ELSAO (Auto-Open + Subversion)
- A10ELS-2 (for Soft Close Products+Subversion)

Complete your lock order by specifying the following:



Note: S=Subversion Intelligent Models

Note: To complete your order include the proximity and the hub kit.

Warranty

For warranty information visit <http://www.senseonsecure.com/warranty>



ACCURIDE INTERNATIONAL INC.

12311 Shoemaker Avenue
 Santa Fe Springs, CA 90670

TEL (562) 903-0200

FAX (562) 903-0208

www.accuride.com

Manufacturing, Engineering, and Sales

United States • Germany • Japan • Mexico • United Kingdom • China