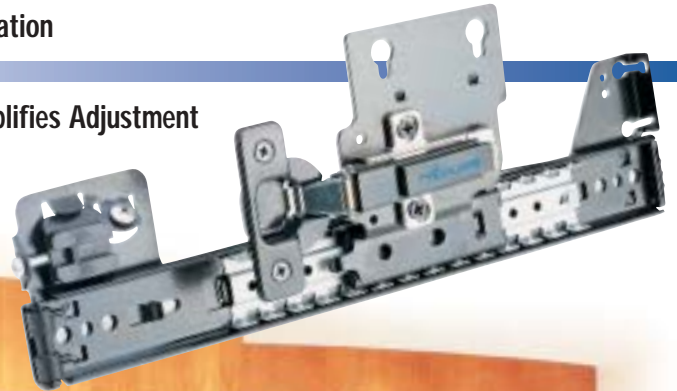


1332/1432 Heavy Duty Cable System

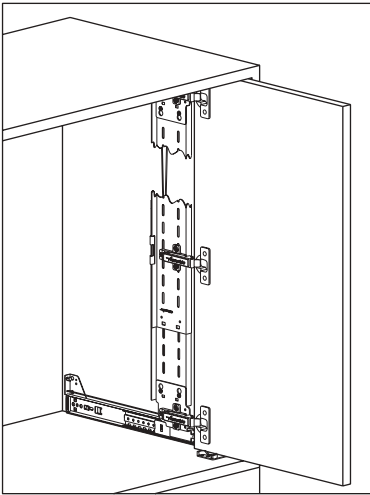
- 75 lb. [34 kg] Load Rating
- Accommodates Door Heights up to 78" [1981 mm]
- Designed for Easy Installation
- Front Cable Location Simplifies Adjustment



Accuride[®]

1332/1432 Heavy Duty Cable System

Given today's demanding production schedules, woodworkers need high quality hardware that installs quickly. Accuride has answered that requirement with the 1332/1432 Heavy Duty Cable System. This product provides stability and dependable performance in applications with larger, heavier doors, while the easy-install design saves both time and effort.



Features and Benefits

- **Easier installation**—fewer components and trouble-free cable threading.
- **New front cable location**—simpler adjustment and servicing.
- **Adjustable hinge carrier strips** accommodate doors 36–78 inches [914 mm–1981 mm] tall.
- **Slides self-align** by positioning against cabinet floor and ceiling.
- **Hold-out detent** secures door in fully extended position.
- **Attached hinge base** saves installation time.

Hinge Information

Model 1332

Supplied with 35mm hinge.

Model 1432

Hinges purchased separately.

Optional 40mm hinge kits for:

Overlay door applications

P/N 4180-0292-XE

Thick door applications

P/N 4180-0394-XE

Availability

- **Two plating options:** Standard electroplate black or optional clear zinc. Minimum order quantities may apply for zinc finish.
- **Even length increments** 12–28 inches [305–711 mm]

Accuride

Authorized Distributor

Headquarters and Main Plant

12311 Shoemaker Avenue

Santa Fe Springs, CA 90670

(562) 903-0200 • (562) 903-0208 Fax

www accuride.com